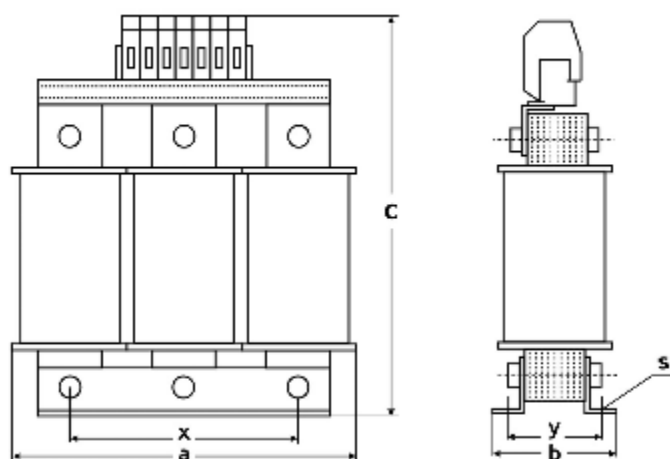


## Transformator trifazni EIT-P



Mere so podane v mm

**EI** - jedro | **T** - trifazni | **P** - pokončni

TIP (Velikost)	MOČ (VA)		DIMENZIJE (mm)							TEŽA Cu (Kg)	TEŽA Skupaj (Kg)
	V330	VM111	a	b	c	d	x	y	s		
EIT/P-20/21	80		125	65	125	100	66	45	12 x 6		2,2
EIT/P-20/31	120		125	75	125	100	66	55	12 x 6		3,2
EIT/P-25/26	200		150	100	145	125	85	55	13 x 7		4,2
EIT/P-20/41	320		150	95	145	125	85	70	13 x 7		6,2
EIT/P-30/31	350		180	105	175	150	130	55	13 x 7		8
EIT/P-30/41	600		180	105	175	150	130	65	13 x 7		10
EIT/P-30/51	800		180	115	175	150	130	75	13 x 7		11
EIT/P-40/41	1000		240	125	265		190	90	10 x 17		18
EIT/P-40/51	1300		240	135	265		190	100	10 x 17		20
EIT/P-40/61	1600		240	145	265		190	110	10 x 17		22
EIT/P-40/70	2000		240	155	265		190	120	10 x 17		25
EIT/P-40/75	2200		240	160	265		190	125	10 x 17		28
EIT/P-50/50	3000		240	150	330		240	150	10 x 17		35
EIT/P-50/66	3600		320	165	330		240	165	10 x 17		41
EIT/P-50/77	4500		320	180	330		240	175	10 x 17		46
EIT/P-50/92	5000		320	195	330		240	190	10 x 17		54
EIT/P-50/102	5500		320	205	330		240	200	10 x 17		58
EIT/P-60/63	6500	8000	360	165	370		260	165	10 x 17		60
EIT/P-60/78	8000	10000	360	180	370		260	180	10 x 17		72
EIT/P-60/93	10000	12000	360	195	370		260	195	10 x 17		80
EIT/P-70/73	11000	14000	420	190	430		320	155	12 x 25		90
EIT/P-70/88	15000	18000	420	205	430		320	170	12 x 25		110
EIT/P-70/103	17000	20000	420	220	430		320	185	12 x 25		120
EIT/P-70/133	21000	35000	420	250	430		320	215	12 x 25		150
EIT/P-80/83	20000	25000	490	205	500		400	165	12 x 25		140
EIT/P-80/110		35000	490	235	500		400	210	12 x 25		175
EIT/P-80/140		45000	490	265	500		400	240	12 x 25		205
EIT/P-80/140		50000	550	265	500		420	240	12 x 25		225

Primar, sekundar, izvedba priključkov, .. - Po zahtevi kupca.